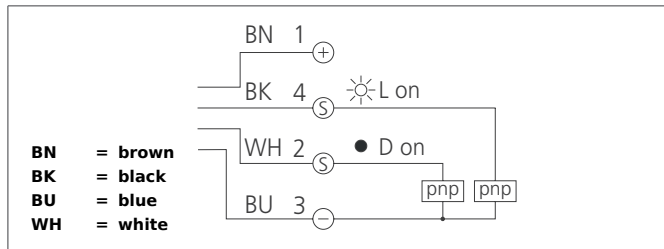


LTV 18 M 600 P4K-IBSL

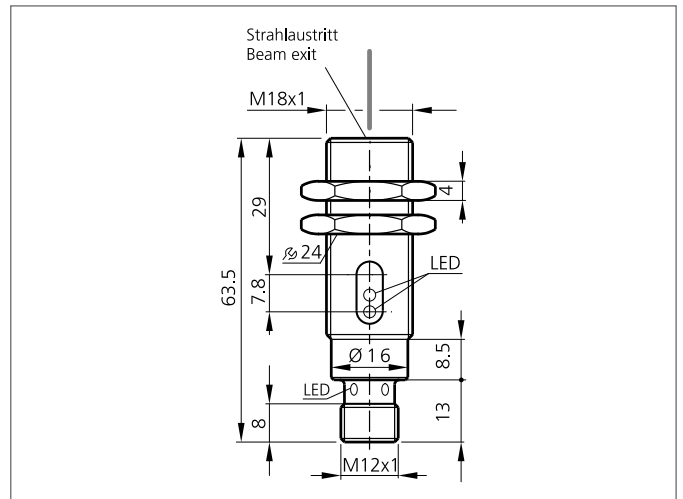
Laser Diffuse Sensor

- Compact design
- Red light laser
- Sensitivity adjustable
- High resolution, operating frequency



Safety instructions

Inproper use may result in hazardous radiation exposure. Pay attention to accident prevention rules and laser class. The instruments are not to be used for safety applications, in particular applications in which safety of persons depends on proper operation of the instruments. These instruments shall exclusively be used by qualified personnel.



TECHNICAL INFORMATION (typ.)		+20°C, 24V DC
Operating principle		Diffuse reflective sensor
Evaluation		digital
Size		M18 x 1 (thread)
Design		screw
Emitted light		Red light laser, 660 nm, clocked
Laser class		2 (IEC 60825-1)
Standardized measuring plate		100 x 100 mm, white
Service voltage		10 ... 36 V DC
Internal power consumption		< 20 mA
background suppression		no
Operating distance		60 ... 600 mm
Sensitivity adjustment		potentiometer
Switching output		pnp, 200 mA, NO/NC, exclusive OR
Switching hysteresis		< 10 %
Voltage drop		< 2,0 V
Switching frequency		1.000 Hz
Ambient temperature		-10 ... +50 °C
Ambient light immunity		10 kLx
Protection class		IP 67
Protection degree		III, operation on protective low voltage
Casing material		stainless steel V2A (1.4301 / AISI 304)
Material		glass (Window)
Connection		Connector, M12, 4-poled

LTV 18 M 600 P4K-IBSL
Laser Diffuse Sensor



TECHNICAL INFORMATION (typ.)

+20°C, 24V DC

Connecting cable

VK ...